

BC H9G

""%""A 5?9: FC A '9L57 H@MC B9'G<99HC: '%#&'B7 < 'D@MK C C 8""
""G99'G<99H&: C F '7 I H8 A 9B G€ BG""

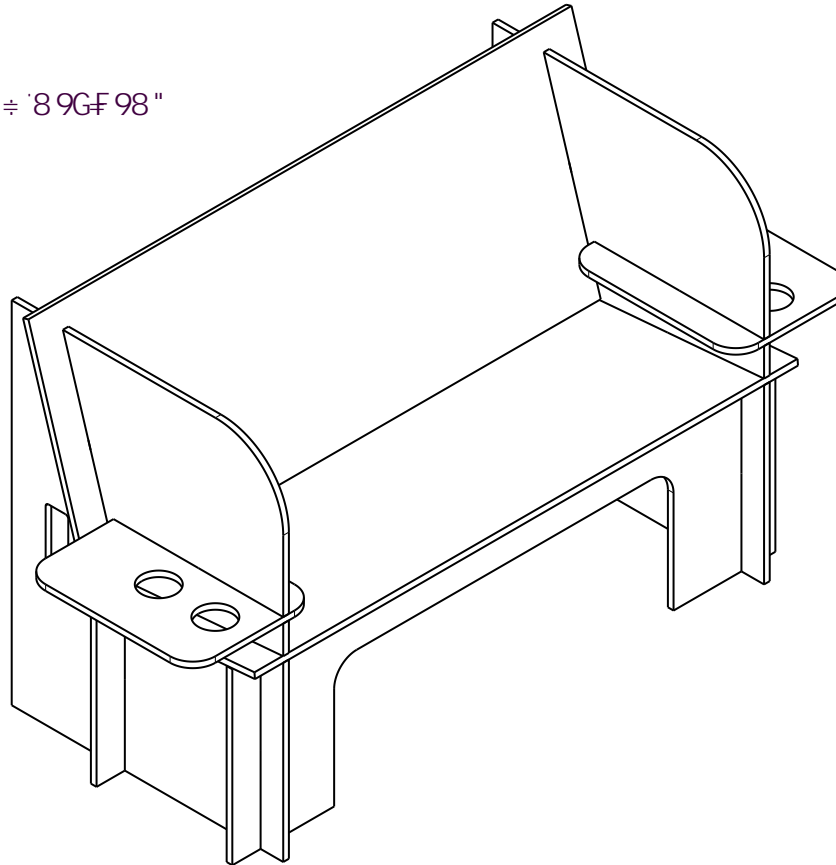
""&""5 @G@ HG'5F9'%#&'B7 < 'K -89'fC F 'G@ < H@MK -89F
""Hk5B 'Hk9'57 H 5 @D@MK C C 8 'G<99H Hk -7 ?B9GGL""

"" "" ""8 A 9B G€ BG'5F9'HC 'Hk9'98; 9G'C: 'Hk9'G@ HG"

""(' "" ""<5B8 '<C @G'5F9'C DH€ B5@

□ 'FC I B8 '588 #€ B5@7 C FB9FG ÷ '89GF98"

""*""G@ HG: C F '8F-B?'<C @89FG'
""A I GH697 I HJ 9FMH# <H



I G9CB@VK #K D5MA 9BHC: FCM5@M
i Acei Aulæ æ&@ A HJ Aja @ Äü^•^iç^äÄV@A
ä+:{ ææ } A|) ææ ^äA A@ Aiaæ ä * A A@A| ^A
]!| ^iç A Aulæ æ&@ææ äA æ A^ææ äA A^ ^ä
c@A) cä^A^) ä * A æ A| (() æ EV@ A^• ä) A
{ æ A^A^• ä A } | Aæc!A| æc A æ{ ^) oæ A
ä^• æ ä^ä AæA. H jæ ææ &@B| (E

I B@GGC H-9FK -69 GD97 ÷ 98.
5 @8 A 9B G€ BG5F9-B 'B7 <9G
HC @F5B79G
C B9D@579897 A 5@± ""%&
HK C D@579897 A 5@± ""%\$
5B: I @5F. "± &°

A 5HF-5@
%#&]bW d'mk ccX
:B G<
BCB9
8C'BGHG75@98F5K B:

@J B: @M
8F5K B'6M
F58-75@M
89G÷ B98'6M

B5A 9
Kflgm
Gibg|bY

85H9
*#&-#\$.
(#(#\$-



H#H9.				
5 bb j Y fgU fY '7 \U f				
G#9	8K ; ""BC"	F9J		
5	5 bb j '7 \U f	6		
G7 5 @. %%&K 9÷ <H'			G<99H% C: '*	

) (' & %

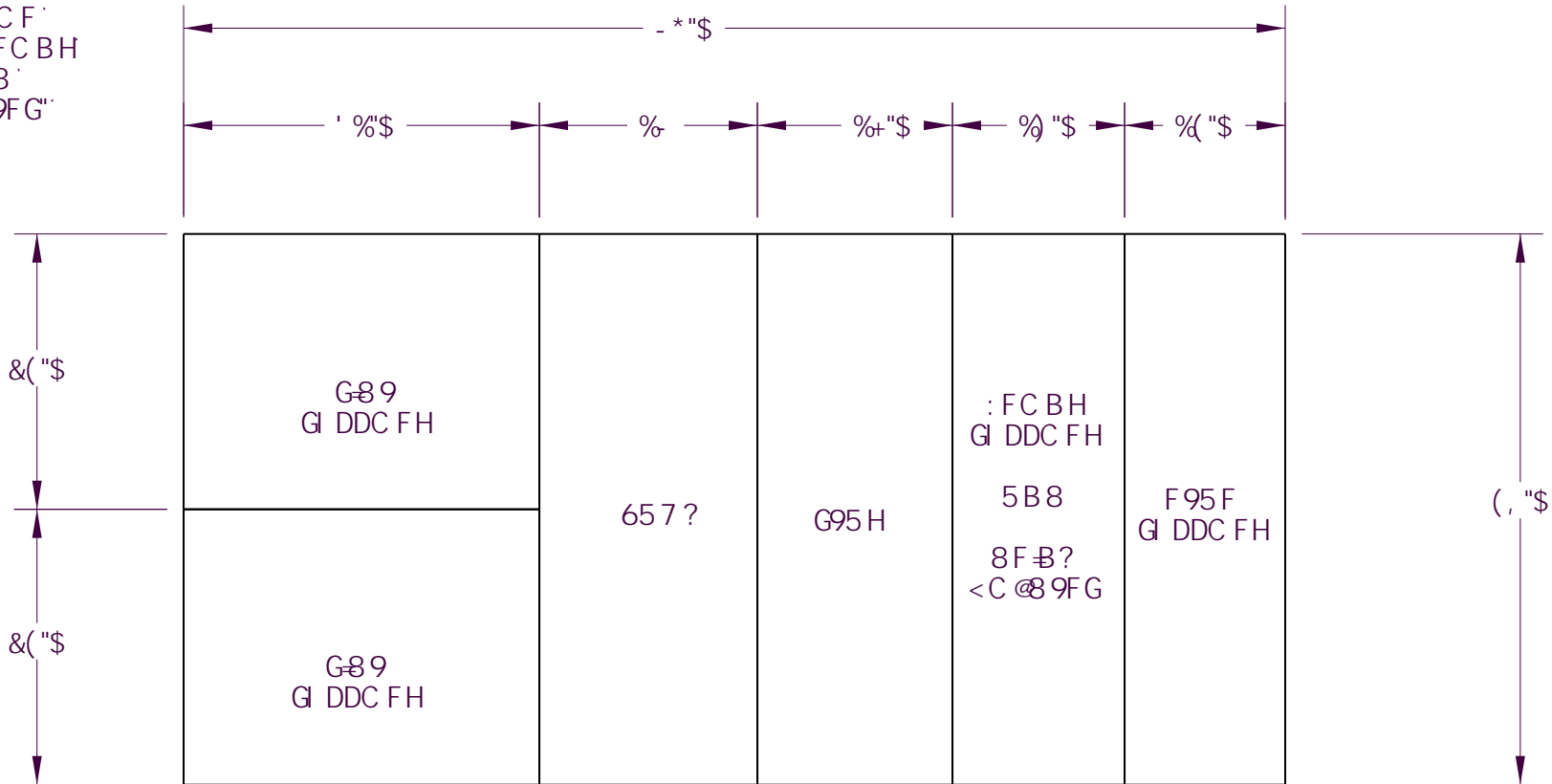
BC H9G 7 C BHB I 98.

+ "G99 G< 99H" : C F 8 9H @G C : G8 9 GI DDC FHG

7 I HG< 99H

, "G99 G< 99H (: C F 8 9H @G C : G95 H 65 7 ?
..... 5 B 8 F 95 F GI DDC FH

- "G99 G< 99H) : C F
..... 8 9H @G C : : FC BH
..... GI DDC FH 5 B 8
..... 8 F B ? < C @ 9 FG



I G9CB@MK #* D5MA 9BHC: FCM5@M
 i Aeed AJulae ae &@A AUA @ AU^ ^ic^ aEV@A
 a + ((aeä) A() caä ^ aA A @ Aiaä ä * A A @ A [^ A
] [[^ ^ c A - AJulae ae & @ ä a A ae A^ ae a A A ^ ^ A
 c @ A) d ^ A ^ i) ä * A^ ae A({ } ^) ac EV @ A ^ a } A
 { ae A ^ A ^ a A } | Aee : A [^ ac A ae { ^) oae A
 ä ^ & ä ä ^ a A A . . H] ae ae & @ E

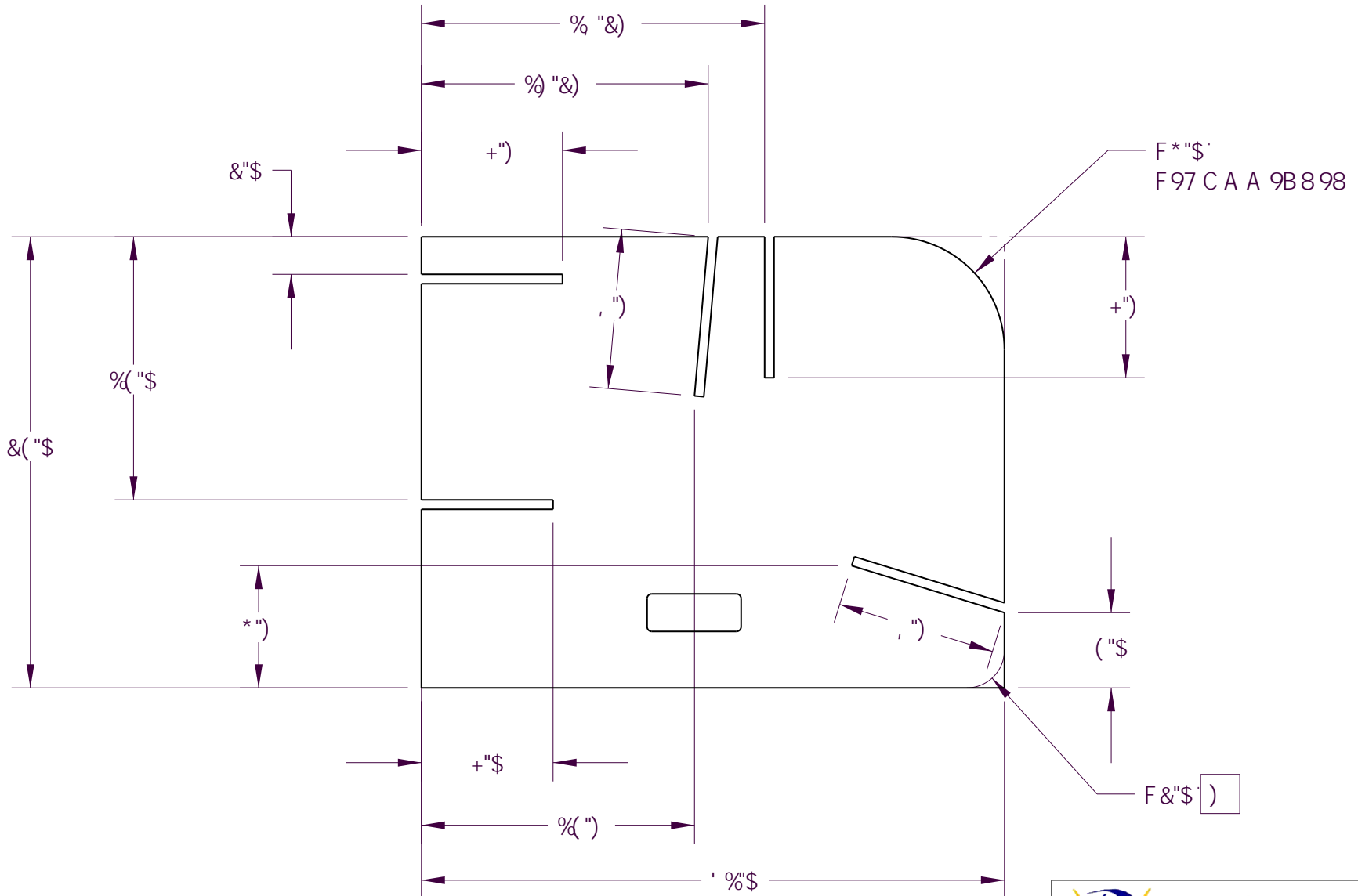


H#t@.

5bbjj '7 \Ujf'G\YYh

G#9	8K : ""BC"	F9J
5	5bbjj '7 \Ujf	6

G7 5 @. %, G< 99H&C : '*



F*"\$'
F97 C A A 9B898

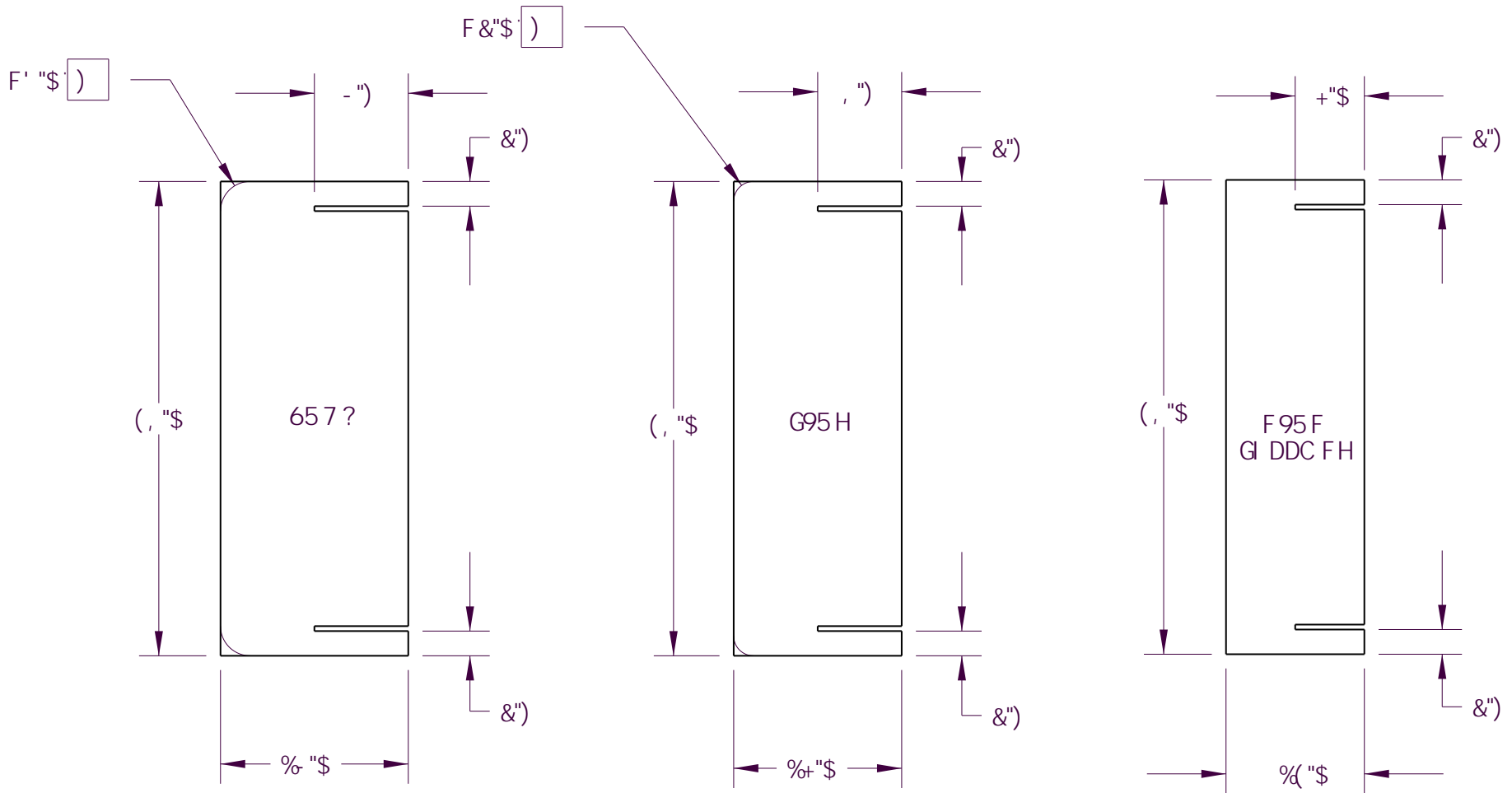
F&"\$)

G-89
GI DDC FH
&F9E I f 98

I G9CB@MK #* 'D5MA 9BHC: FCM5@M
i Aeed UJae ae &@A QUA @ AU^*^i^aEV@A
a +!(aeä) A() cae ^aA A@ Aiae a * A A@A [^A
] [[^i^c A -UJae ae &@ae aA ae A^ae aA A^ ^aA
o@A) d^A^O i) a * A^ ae A({ } ac EV@ A^ a } A
{ ae A^A^*aA } | Aee: A[^ac A ae { ^) oae A
a^* & ä^aA A . H J ae ae &@E { E



H#t@.		
5 bbj ' 7 \ U]f'G]XY		
G#9	8K ; ""BC"	F9J
5	5 bbj ' 7 \ U]f	6
G7 5 @. %,		G<99H' 'C: '*



I G9CB@MK #* 'D5MA 9BHC: FCM5@M
 î Åæè Åjææ æ&@Å ÅjÅj Å @ Åj^·Åj^Åj@Å
 ä +!(ææ) Åj(çæ ^åÅ Å@ Åjæ ä * Å Å@Å[^Å
]|[^c Å-Åjæ æ&@Åj å Å æ Åjæ Åj Åj ^-Å
 c@Å) ç^Åj) ä * Åj æ Åj({ } æ Åj@ Åj^·Å
 { æ Åj^·Åj^} | Åæè: Åj æc Å æ{ ^} çæ Å
 ä^·& ä^åÅ Å Åj æ æ&@Åj { E

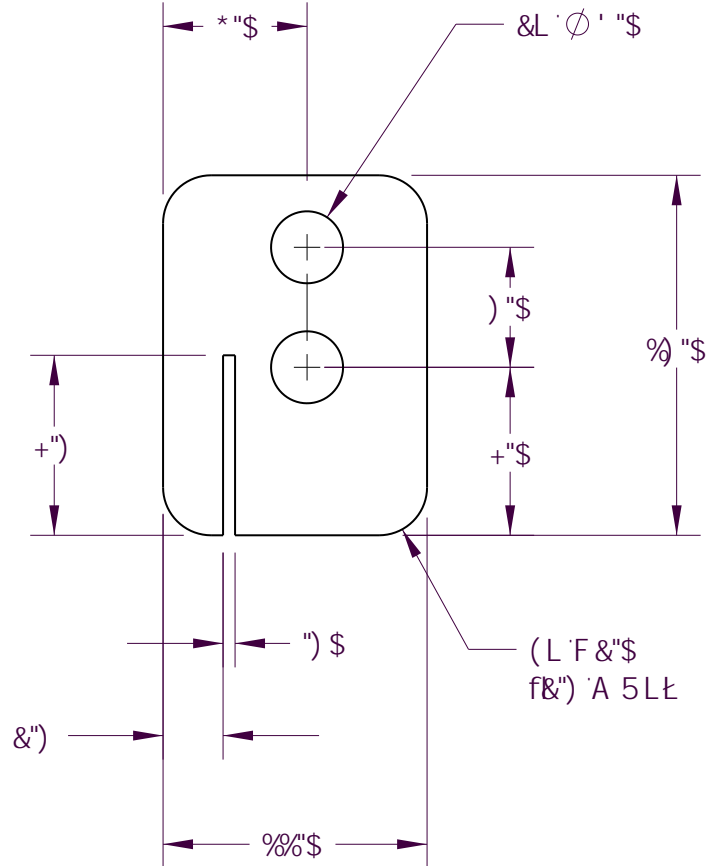
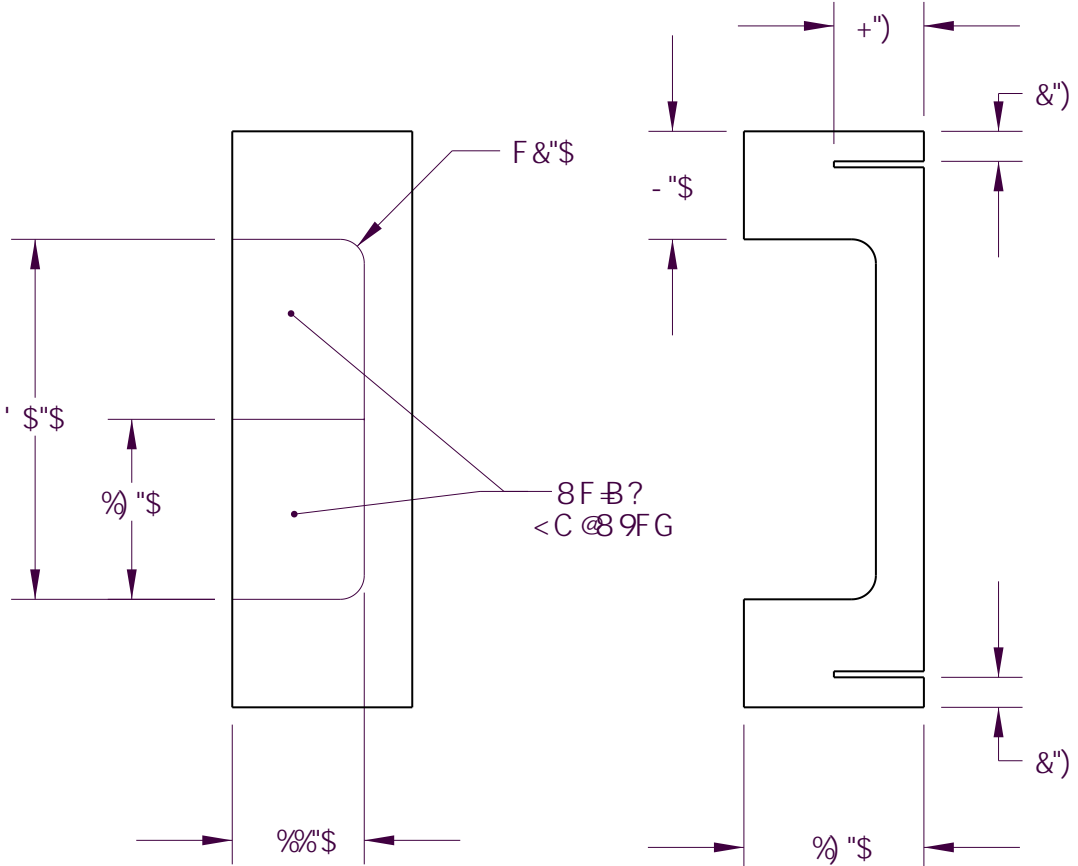


H#t@.		
5 bbj j '7 \Uj f' DU fng		
G#9	8K ; ""BC "	F9J
5	5 bbj j '7 \Uj f	6
G7 5 @. % %*	G< 99H('C : '*	

7 I H C I H 8 F B ? < C @ 9 F G
 : F C A : F C B H G I D D C F H
 f F 9 E I f 9 G > ÷ ' G 5 K 7

: B 5 @
 : F C B H
 G I D D C F H

8 F B ?
 < C @ 9 F
 & F 9 E I f 9 8



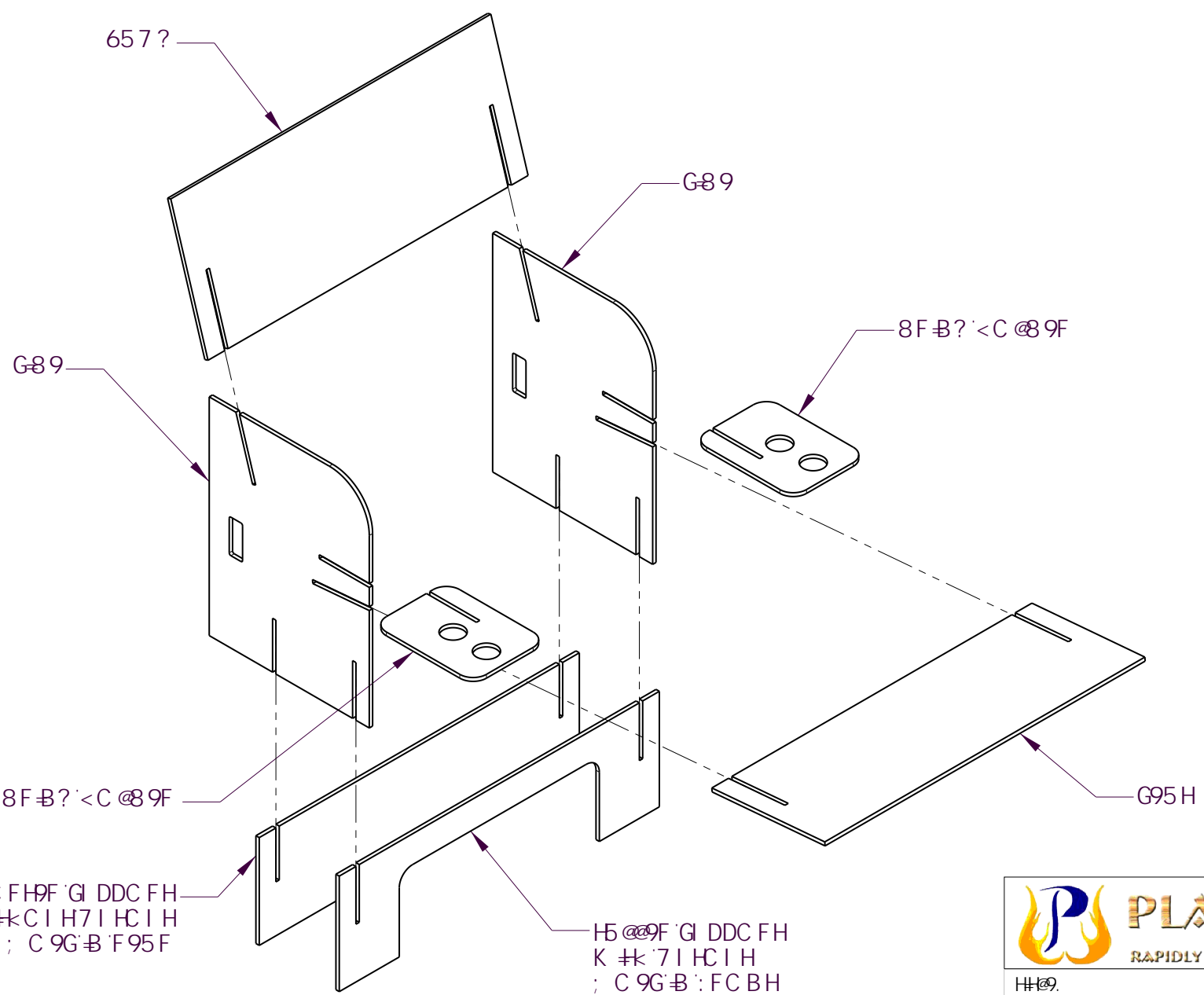
I G 9 C B @ M K # * D 5 M A 9 B H C : F C M 5 @ M
 i A e e l A j a e a e & A A j A a @ A u ^ ^ i c ^ a E V @ A
 a - i : (a a) A i) c a j ^ a A A @ A i a e a * A A @ A [^ A
] ! [] ^ i C A - A j a e a e & C a j a A a e A ^ a e a A f A ^ ^ A
 c @ A) a ^ A O i) a * A r a A i ({ ~) a c E V @ A A ^ a) A
 { a e A ^ A ^ a A } | A e e i A [a e C A a e { ^) o a e A
 a ^ & a e a A a A . . H j a e a e & C a j (E



H#t@.
 : f c b h / ' 8 f] b _ ' < c ` X Y f

G#9	8K ; " " BC "	F9J
5	5 b b j j ' 7 \ U] f	6

G7 5 @ . % % * G < 9 9 H) ' C : ' *



G< C FH9F 'GI DDC FH
K #k C I H7I H7I H
; C 9G-B 'F95F



##@9.

5 bbJj YfgUJfY '7 \UJf

G#9	8K ; ""BC"	F9J
5	5 bbJj '7 \UJf	6
G7 5 @. % %*		G< 99H* 'C : '*

I G9CB@MK #k D5MA 9BHC: FCM5@M
i Aeed AUae a&A AUA @ AU^ ^ic^aEV@A
a -i: (aea) A() caa ^aA A@ Aiaa a * A@A [A
] [] ^ic A -AUae a&@aa aA ae A^ae aA A^ ^aA
o@A) a^A^i) a * A' a A(() ac EV@ A^ a) A
{ ae A^A^ aA } | Aee: A[aac A ae (^) oae A
a^ & a^ aA A... H jae a&@A (E