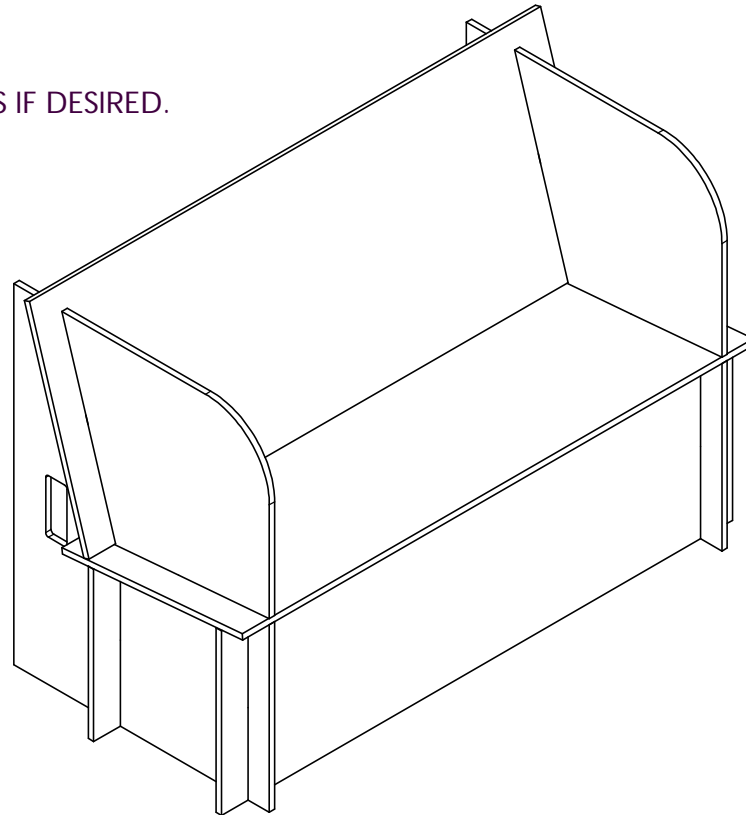


**NOTES:**

1. MAKE FROM EXACTLY ONE SHEET OF 1/2 INCH PLYWOOD. SEE SHEET 2 FOR CUT DIMENSIONS.
2. ALL SLOTS ARE 1/2 INCH WIDE (OR SLIGHTLY WIDER THAN THE ACTUAL PLYWOOD SHEET THICKNESS).
3. DIMENSIONS ARE TO THE EDGES OF THE SLOTS.
4. HAND HOLES ARE OPTIONAL.
5. ROUND ADDITIONAL CORNERS IF DESIRED.



TITLE:			
<b>Playa Loveseat</b>			
SIZE	DWG. NO.	REV	
<b>A</b>	<b>Loveseat</b>	<b>A</b>	
SCALE: 1:12		WEIGHT:	SHEET 1 OF 5

<p><b>USE ONLY WITH PAYMENT OF ROYALTY</b></p> <p>© 2007 Playatech – All Rights Reserved. The information contained in this drawing is the sole property of Playatech, and was created to benefit the entire Burning Man community. This design may be used only after royalty payment as described at <a href="http://www.playatech.com">www.playatech.com</a>.</p>	<p>UNLESS OTHERWISE SPECIFIED: ALL DIMENSIONS ARE IN INCHES TOLERANCES: ONE PLACE DECIMAL ± .125 TWO PLACE DECIMAL ± .10 ANGULAR: ± 2°</p>	MATERIAL		NAME	DATE
		1/2 inch plywood		Wristy	7/13/06
		FINISH		Sunshine	4/4/05
		NONE			
		DO NOT SCALE DRAWING			

5

4

3

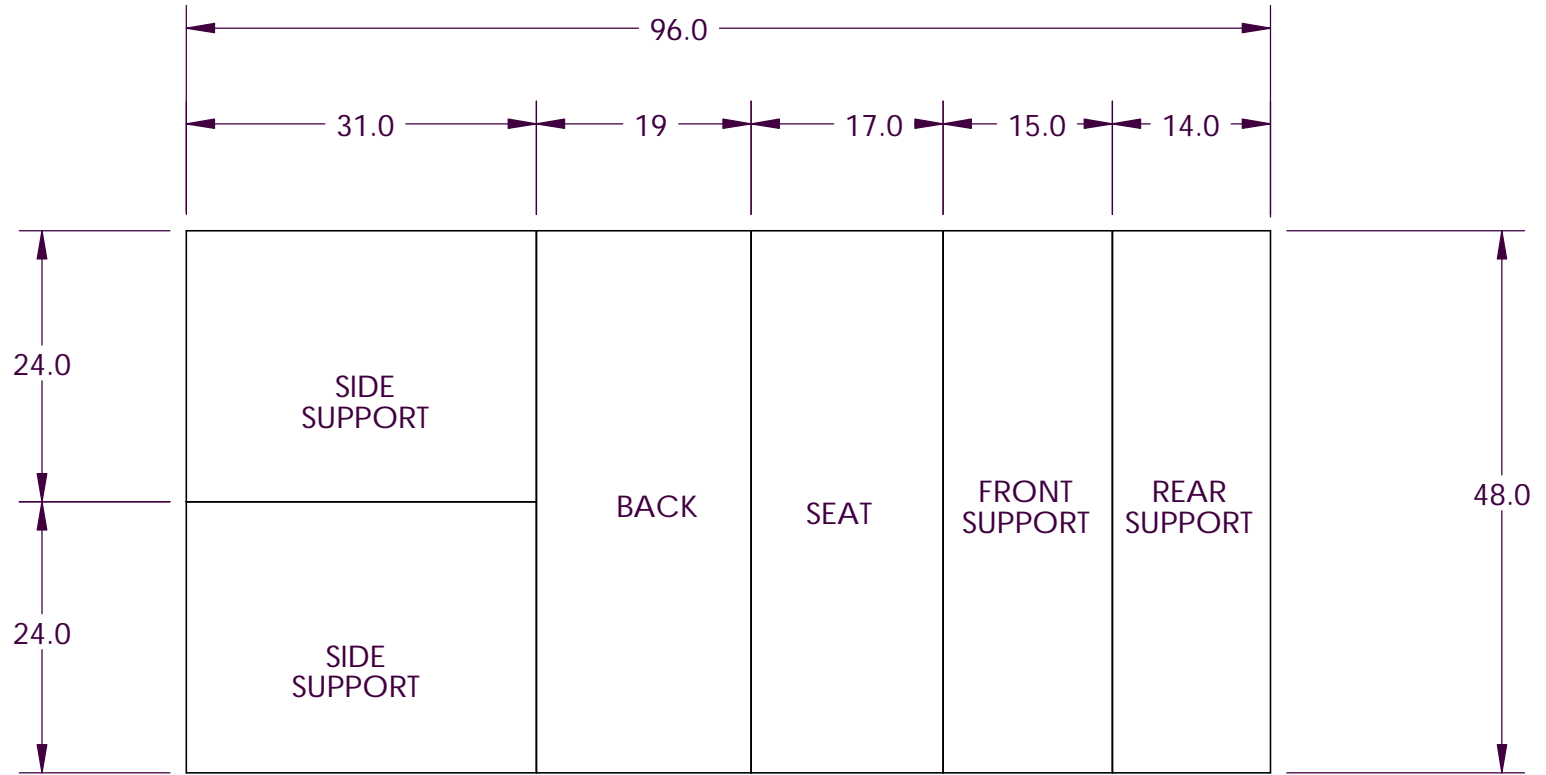
2

1

NOTES CONTINUED:

6. SEE SHEET 3 FOR DETAILS OF SIDE SUPPORTS, AND SHEET 4 FOR DETAILS OF OTHER PIECES.

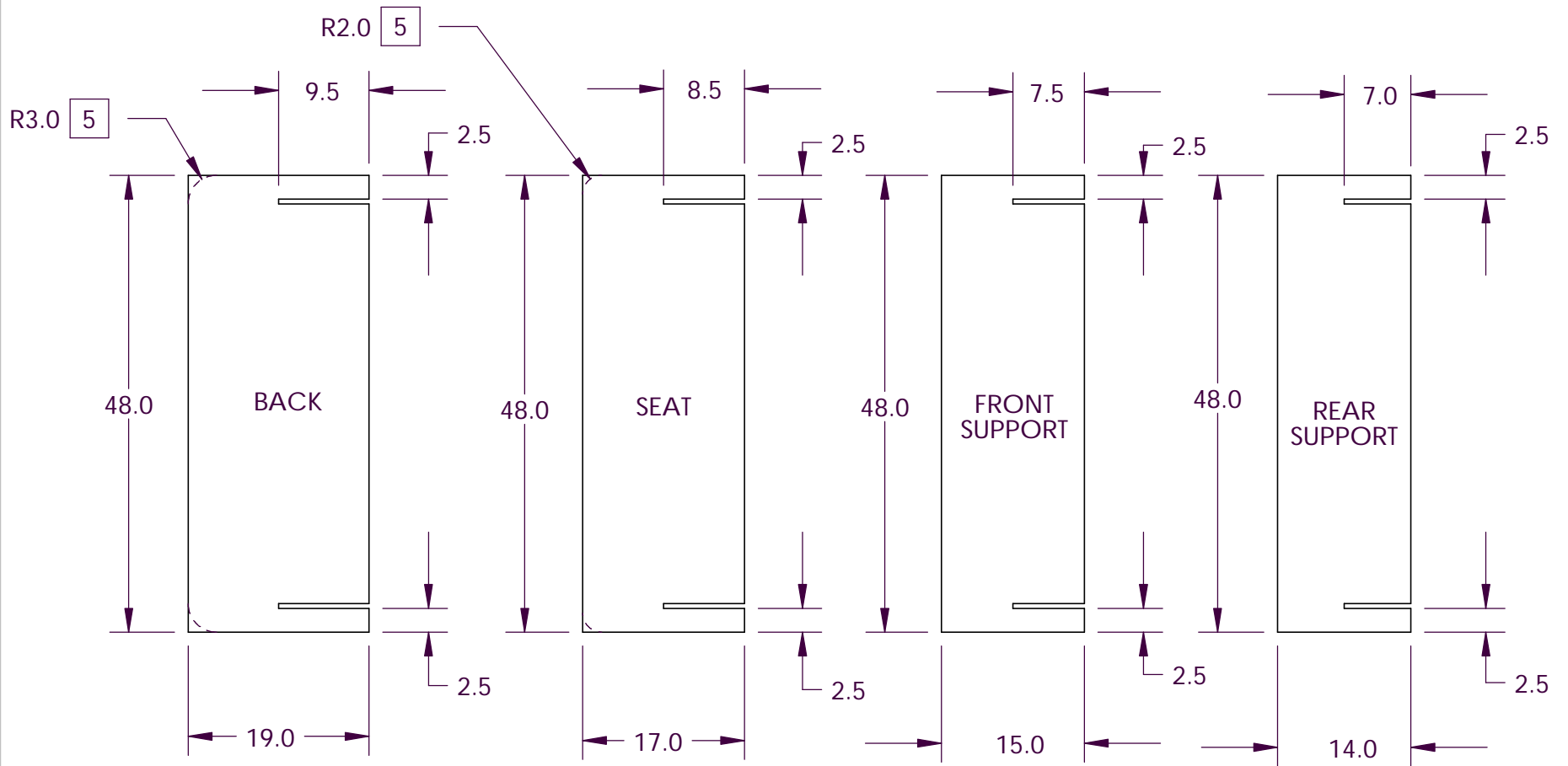
CUT SHEET



TITLE: <b>Loveseat Sheet</b>		
SIZE <b>A</b>	DWG. NO. <b>Loveseat</b>	REV <b>A</b>
SCALE: 1:8		SHEET 2 OF 5

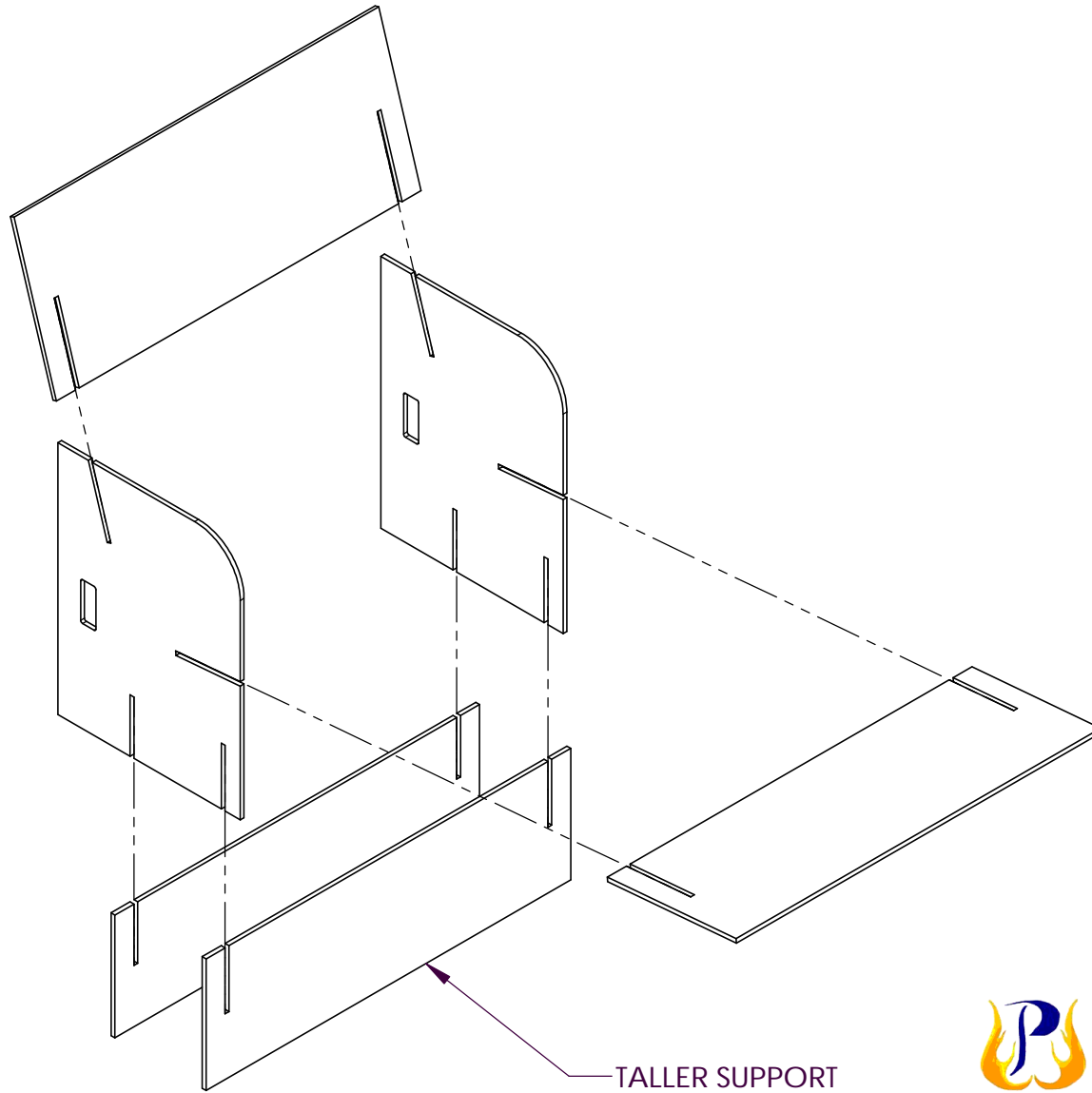
**USE ONLY WITH PAYMENT OF ROYALTY**  
 © 2007 Playatech – All Rights Reserved. The information contained in this drawing is the sole property of Playatech, and was created to benefit the entire Burning Man community. This design may be used only after royalty payment as described at [www.playatech.com](http://www.playatech.com).





TITLE: <b>Loveseat Parts</b>		
SIZE <b>A</b>	DWG. NO. <b>Loveseat</b>	REV <b>A</b>
SCALE: 1:16		SHEET 4 OF 5

**USE ONLY WITH PAYMENT OF ROYALTY**  
 © 2007 Playatech – All Rights Reserved. The information contained in this drawing is the sole property of Playatech, and was created to benefit the entire Burning Man community. This design may be used only after royalty payment as described at [www.playatech.com](http://www.playatech.com).



TALLER SUPPORT  
GOES IN FRONT



TITLE:		
Playa Loveseat		
SIZE	DWG. NO.	REV
<b>A</b>	Loveseat	<b>A</b>
SCALE: 1:16		SHEET 5 OF 5

**USE ONLY WITH PAYMENT OF ROYALTY**  
 © 2007 Playatech – All Rights Reserved. The information contained in this drawing is the sole property of Playatech, and was created to benefit the entire Burning Man community. This design may be used only after royalty payment as described at [www.playatech.com](http://www.playatech.com).